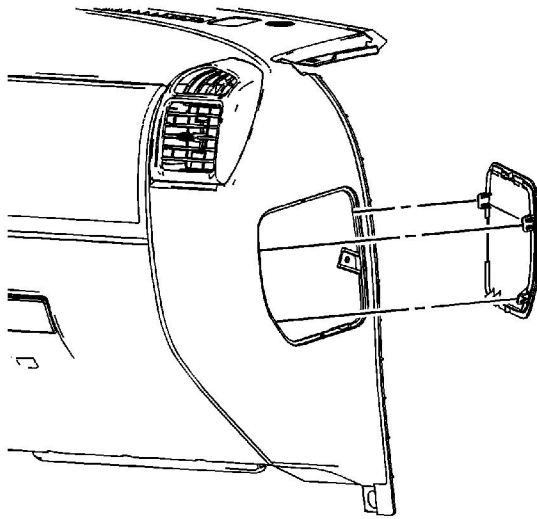


## Communication Interface Module Replacement

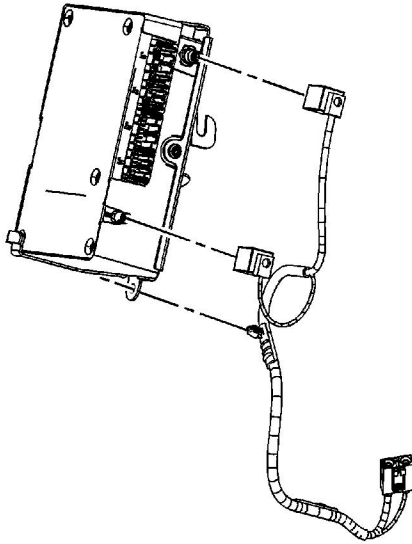
### Removal Procedure

**Important:** The vehicle communication interface module (VCIM) has a specific set of unique numbers that tie the module to each vehicle. These numbers, the 10-digit station identification (STID) and the 11-digit electronic serial number (ESN), are used by the National Cellular Network and OnStar® to identify the specific vehicle. Because these numbers are tied to the vehicle identification number of the vehicle, you must never exchange these parts with those of another vehicle.

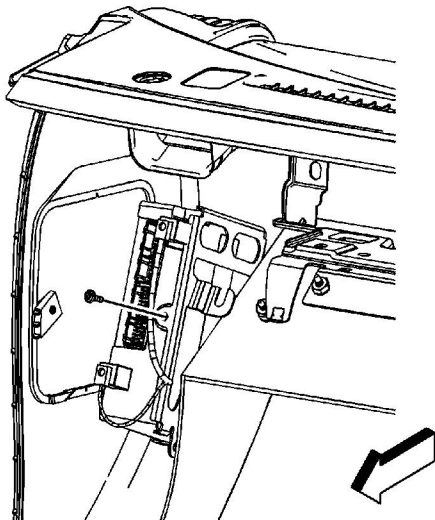
1. Position the right rear seat bottom to a cargo position.
2. Ensure the ignition switch is in the OFF position.



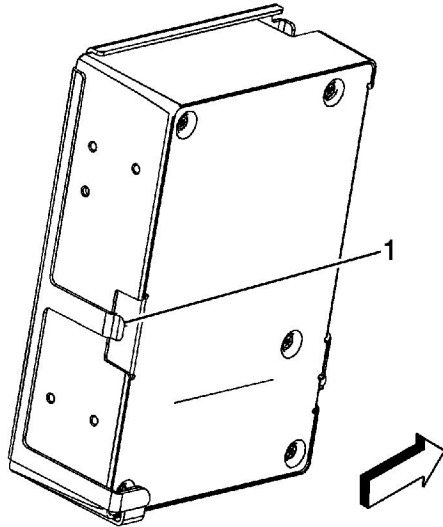
3. Remove the service panel located on the right side of the instrument panel (I/P).



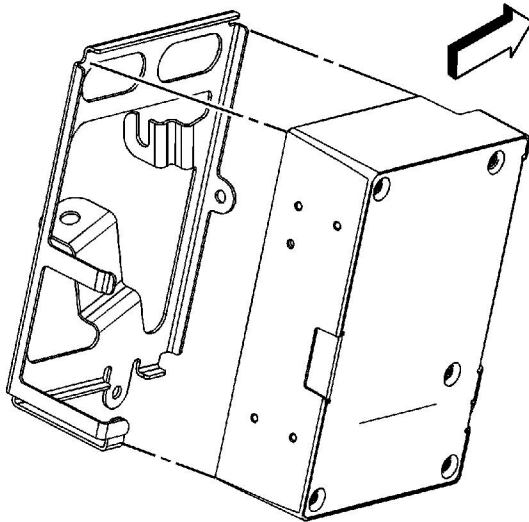
4. Disconnect the VCIM electrical connectors as necessary.



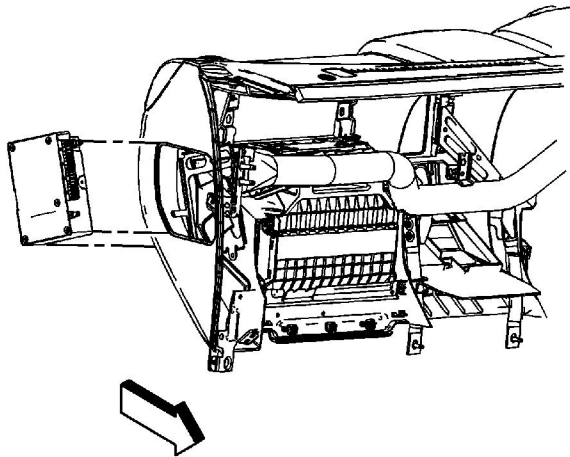
5. Remove the screw retaining the VCIM to the bracket.



6. Release the tab (1) on the bracket.



7. Remove the VCIM from the bracket.

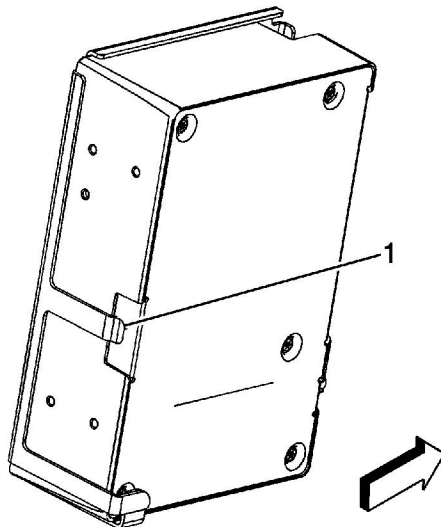


8. Remove the VCIM from the vehicle.

## Installation Procedure

1. If replacing the VCIM, record the 10-digit STID number, and the 11-digit ESN number from the labels on the new module.

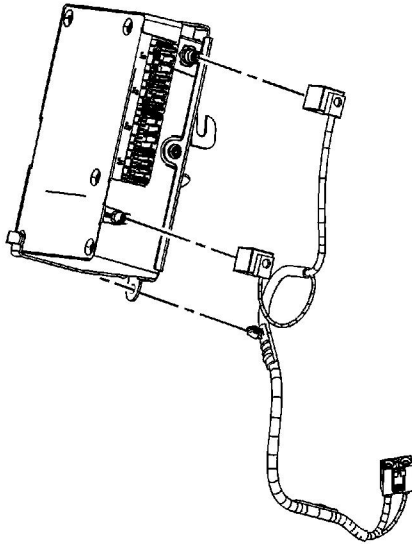
**Notice:** Refer to [Fastener Notice](#) in the Preface section.



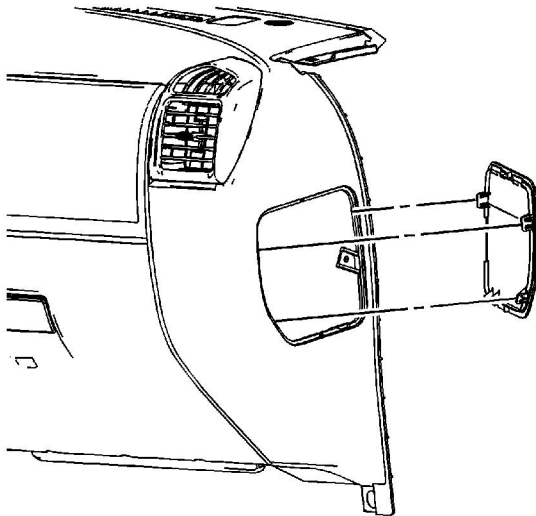
2. Install the VCIM to the bracket ensuring the retaining tab (1) is fully seated.

**Tighten**

Tighten the screw fully driven , seated and not stripped.



3. Connect the VCIM electrical connectors as necessary.



4. Install the service panel.

**Important:** After replacing the VCIM, you must reconfigure the OnStar® system. Failure to reconfigure the system will result in an additional customer visit for repair. In addition, pressing and holding the white dot button on the keypad will NOT reset this version of the OnStar® system. This action will cause a DTC to set.

5. Reconfigure the OnStar® system. Refer to [OnStar Reconfiguration](#) .